

MIMAX-V
MIMAX-U
SUPER MIMAX-V
SUPER MIMAX-U
DOUBLE COLUMN
MACHINING CENTER



MIMAX-SERIES

DOUBLE COLUMN MACHINING CENTER

MIMAX-V2300



SPECIFICATIONS		MIMAX-V			MIMAX-U			SUPER MIMAX-V	SUPER MIMAX-U		
Model	Unit	V2300	V2800	V3300	U2300	U2800	U3300	V4300	U3300	U4300	
Column Clearance	mm	2300	2800	3300	2300	2800	3300	4300	3300	4300	
Table		1800	2300		1800	2300		3500×5500	2700×5500	3500×5500	
		×	×	2700	×	×	2700				
	mm	3500	3500	×	3500	3500	×				
		4500	4500	5500	4500	4500	5500				
Travel		5500	5500		5500	5500		6000	4200	5200	
	X	mm	3700	3700		3700	3700				
			4700	4700	6000	4700	4700				6000
	Y	mm	5700	5700		5700	5700				
	Z	mm	3000	3500	4200	3000	3500	4200	5200	4200	5200
Spindle	Spindle speed	rpm	800, 1000			1000			1200, 1600	1200, 1600	
	Height from table to Vertical spindle nose	mm	6000, 12000			3000/4000			8000	6000/8000	
	Height from table to Horizontal spindle center	mm	800(200-1000) 1000(200-1200)			1000(-100~900)			1200(200-1400) 1600(200-1800)	1200(-150~1050) 1600(-150~1450)	
Rapid	X, Y, Z	mm/min	-			1000(-15~985)			-	1200(-15~1185) 1600(-15~1585)	
Feed	X, Y, Z	mm/min	20000			20000			20000	20000	
ATC		ea	10000			10000			10000	10000	
Machine Weight		ton	40			40			40	40	
			45~90			45~90			115~130	115~130	

STANDARD

- Heidenhain iTNC530 / Fanuc 18i-M
- ATC (40 tools)
- Roller LM guide for X, Y, Z axis
- Oil cooler(Water cooler) for spindle cooling
- Auto power off
- Air blast through spindle
- Air blow
- Electronic handwheel
- Large capacity coolant tank 1000

OPTIONAL

- ATC (60, 90, 120 tools)
- Coolant through the tool holder system
- Coolant through spindle with paper band filter system
- Manual angle head with storage rack. Manual on/off loading
- T-slot on the table in cross direction instead of lengthwise
- Work piece measuring probe
- Tool touch probe for tool radius and length compensation (laser, touch)
- Two(2) link type chip conveyor with chip bucket
- Full splash guard



MIMAX-U3300

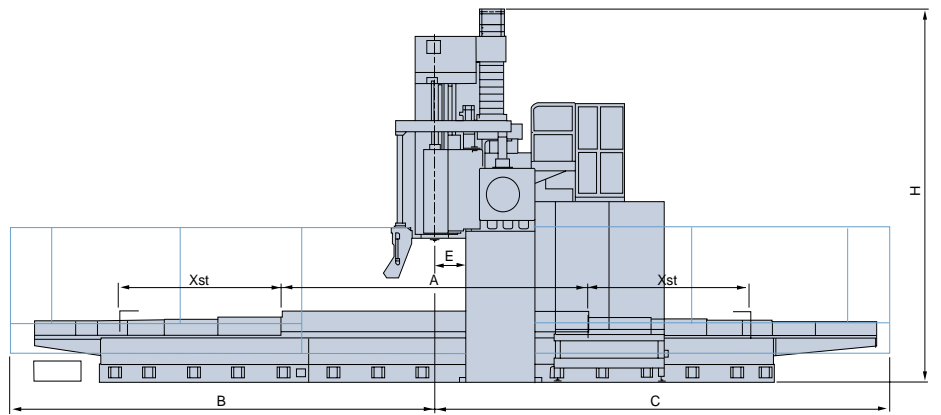
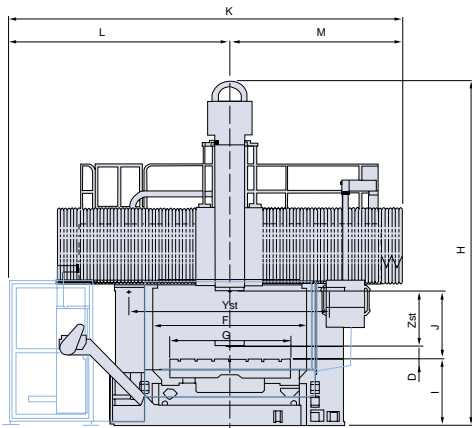
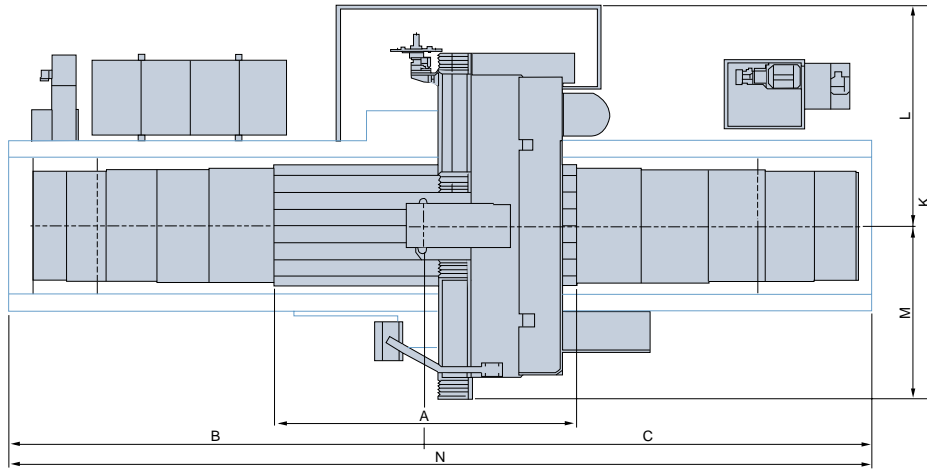


SUPER MIMAX-U3300

- , ,
- UNIVERSAL HEAD 6000/8000RPM



MIMAX-V



MIMAX-V2300/V2800/V3300

	A	B	C	D	E	F	G	H	I	J	K	L	M	N
V2300	3500	7200	5700					5200	985	1000				12900
	4500	8200	6700	200	455	2300	1800	(5200)	(1200)	5900	3300	2600	14900	16900
	5500	9200	7700											
V2800	3500	7200	5700					5200	985	1000				12900
	4500	8200	6700	200	455	2800	2300	(5500)	(1200)	6300	3600	2700	14900	16900
	5500	9200	7700											
V3300	5500	10000	7600	200	455	3300	2700	5300	1000	1000	7000	4000	3000	17600
								(5600)	(1200)	(1200)				

MIMAX-U2300/U2800/U3300

	A	B	C	D	E	F	G	H	I	J	K	L	M	N
U2300	3500	7200	5700	V-100	455	2300	1800	5600	985	V-900				12900
	4500	8200	6700	H-15						(H-985)	5900	3300	2600	14900
	5500	9200	7700											16900
U2800	3500	7200	5700	V-100	455	2800	2300	5600	985	V-900				12900
	4500	8200	6700	H-15						(H-985)	6300	3600	2700	14900
	5500	9200	7700											16900
U3300	5500	10000	7600	V-100	455	3300	2700	5800	1000	V-900	7000	4000	3000	17600
				H-15						(H-985)				

SUPER MIMAX-V4300

	A	B	C	D	E	F	G	H	I	J	K	L	M	N
V4300	5500	10000	7600	200	550	4300	3500	6000	1000	1400	9600	4900	4700	17600
										(1800)				

SUPER MIMAX-U3300/U4300

	A	B	C	D	E	F	G	H	I	J	K	L	M	N
U3300	5500	10000	7600	V-150	550	3300	2700	6500	1000	V(1050)				
										(1450)				
										V1190	8500	4500	4000	17600
										(1590)				
U4300	5500	10000	7600	V-150	550	4300	3500	6500	1000	V(1050)				
										(1450)				
										V1190	9600	4900	4700	17600
										(1590)				

Agent / Distributor



 (株) 起興機械
KIHEUNG MACHINERY CO.LTD

43 - 1

TEL: **042-933-5500~4**
FAX: **042-933-5505**
Web: <http://www.kiheung.com>
E-mail: kiheung@kiheung.com

2165 - 2

() 1 108
TEL: **031-507-5500**
FAX: **031-507-5501**
E-mail: nurione@hanafos.com

43-1 Moon Pyung-Dong, Dae Deog-Ku, Taejeon, Korea

TEL: **82-42-933-5500~4**
FAX: **82-42-933-5505**
Web: <http://www.kiheung.com>
E-mail: kiheung@kiheung.com / mkchang@kiheung.com